



Stereoscopic Microscope SMZ745T

New trinocular stereoscopic microscope ideally suited for observation and photomicrography

7.5x zoom: extremely high zoom range

The SMZ745T boasts a 7.5x zoom that incorporates the Greenough optical system. The zoom range of 0.67x to 5x provides a broad observation range.



115 mm working distance: the longest in the class

As well as high zoom ratio and magnification, the SMZ745T offers an unrivaled 115 mm working distance.



Designed for on-site use

The anti-mold, anti-electrostatic design of the SMZ745T makes it suitable for use in various working environments.

Trinocular optical head is ideal for monitoring and photomicrography

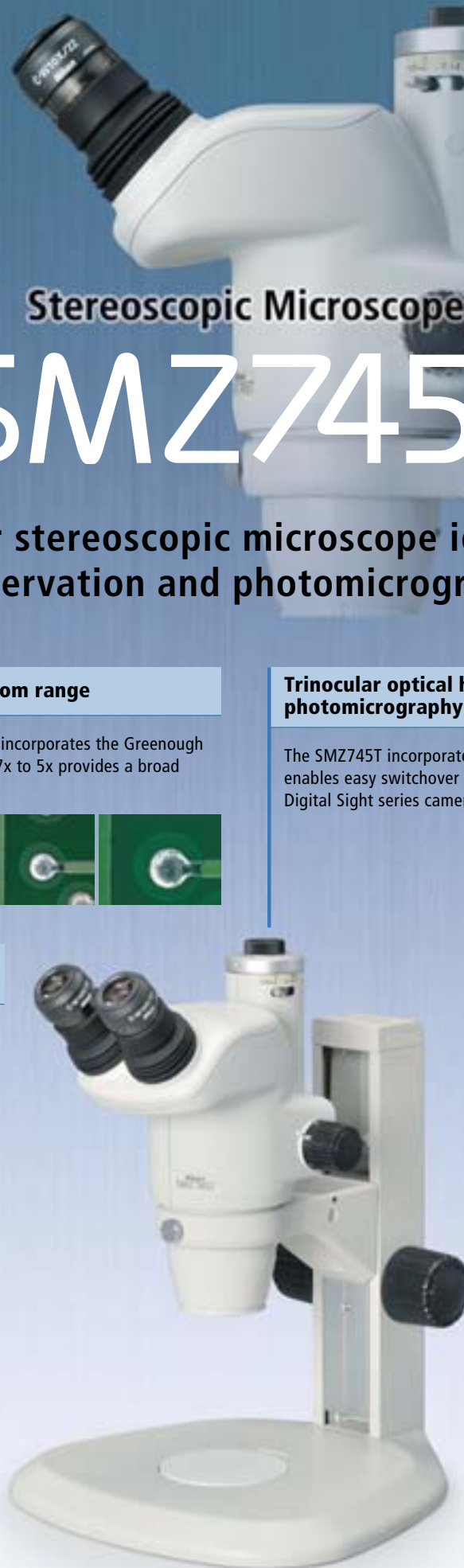
The SMZ745T incorporates an optical path switching lever that enables easy switchover between eyepiece and camera. A Nikon Digital Sight series camera can be attached.



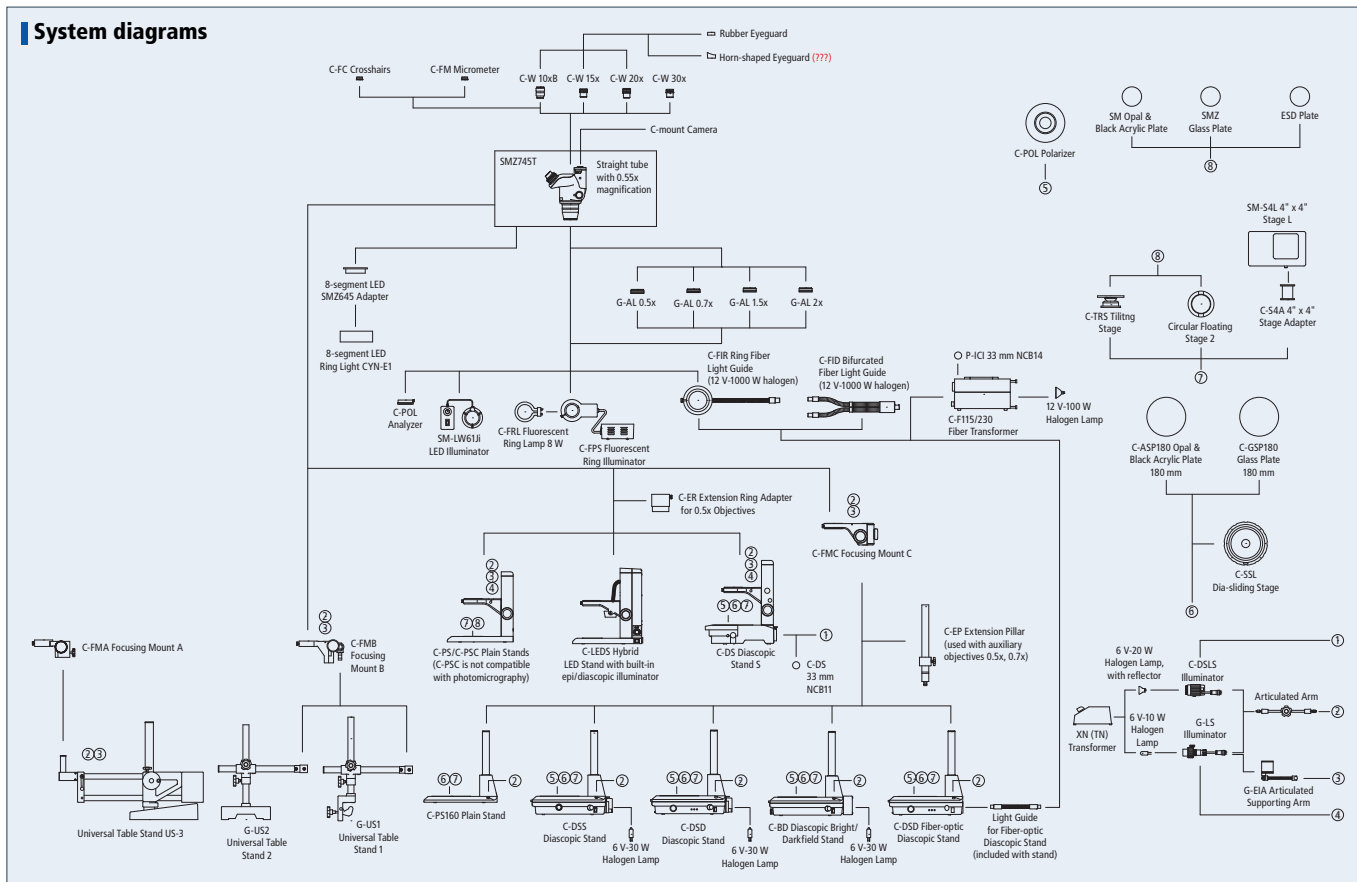
Optical path switching lever



With a Digital Sight series camera for microscopes



System diagrams

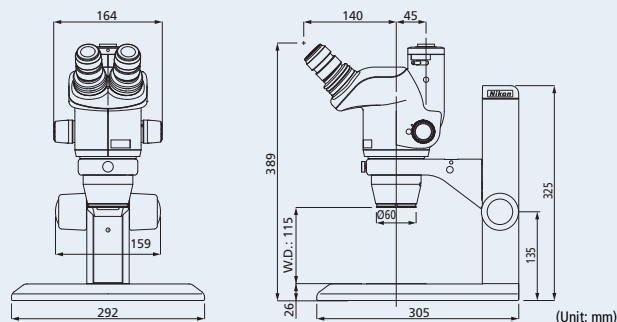


Specifications

Optical system	Greenough optical system
Total magnification	3.4-300x (depending on eyepiece and auxiliary objective used)
Straight tube	Built-in C-mount 0.55x variable magnification lens (F.N. 11)
Eyepiece tube	Fixed type
Eyepiece inclination	45°
Interpupillary distance adjustment	52-75 mm
Eyepieces (with diopter adjustment)	C-W 10xB (F.N. 22), C-W 15x (F.N. 16), C-W 20x (F.N. 12.5), C-W 30x (F.N. 7) (C-mount)
Zoom range	0.67-5x
Zoom ratio	7.5 : 1
Auxiliary objectives	G-AL 0.5x (W.D. 211 mm), G-AL 0.7x (W.D. 150 mm), G-AL 1.5x (W.D. 61 mm), G-AL 2x (W.D. 43.5 mm)
Working distance	115 mm (standard)
Weight	1.8 kg

F.N.: Field Number

Dimensional diagrams



WARNING

TO ENSURE CORRECT USAGE, READ THE CORRESPONDING MANUALS CAREFULLY BEFORE USING YOUR EQUIPMENT.

Specifications and equipment are subject to change without any notice or obligation on the part of the manufacturer. August 2009 ©2009 NIKON CORPORATION



NIKON CORPORATION

6-3, Nishiohi 1-chome, Shinagawa-ku, Tokyo 140-8601, Japan
(Industrial) phone: +81-3-3773-9026 fax: +81-3-3773-9062
(Bio Science) phone: +81-3-3773-8973 fax: +81-3-3773-8986
<http://www.nikon.com/instruments/>

NIKON INSTRUMENTS INC.

1300 Walt Whitman Road, Melville, N.Y. 11747-3064, U.S.A.
phone: +1-631-547-8500; +1-800-52-NIKON (within the U.S.A. only)
fax: +1-631-547-0306
<http://www.nikoninstruments.com/>

NIKON INSTRUMENTS EUROPE B.V.

Laan van Kronenburg 2, 1183 AS Amstelveen, The Netherlands
phone: +31-20-44-96-230 fax: +31-20-44-96-298
<http://www.nikoninstruments.eu/>

NIKON INSTRUMENTS (SHANGHAI) CO., LTD.

CHINA phone: +86-21-5836-0050 fax: +86-21-5836-0030
(Beijing branch) phone: +86-10-5869-2255 fax: +86-10-5869-2277
(Guangzhou branch) phone: +86-20-3882-0552 fax: +86-20-3882-0580

NIKON SINGAPORE PTE LTD

SINGAPORE phone: +65-6559-3618 fax: +65-6559-3668

NIKON MALAYSIA SDN. BHD.

MALAYSIA phone: +60-3-7809-3688 fax: +60-3-7809-3633

NIKON INSTRUMENTS KOREA CO., LTD.

KOREA phone: +82-2-2186-8410 fax: +82-2-555-4415

NIKON CANADA INC.

CANADA phone: +1-905-602-9676 fax: +1-905-602-9953

NIKON FRANCE S.A.S.

FRANCE phone: +33-1-4516-45-16 fax: +33-1-4516-45-55

NIKON GMBH

GERMANY phone: +49-211-941-42-20 fax: +49-211-941-43-22

NIKON INSTRUMENTS S.p.A.

ITALY phone: +39-055-300-96-01 fax: +39-055-30-09-93

NIKON AG

SWITZERLAND phone: +41-43-277-28-67 fax: +41-43-277-28-61



ISO 9001 Certified
NIKON CORPORATION
Instruments Company



ISO 14001 Certified
NIKON CORPORATION